



Stainless Frame



Integrated Frame



Integrated Solid

### Additional Options

- Accessory panels are designed for easy installation on Integrated models
- Stainless lock model available



Stainless Handleless Panel



Stainless Lock Model

### Key Features

- **Industry Exclusive: Full-depth lower interior maximizes storage options**
- **Industry Leading: Variable speed compressor delivers maximum energy efficiency, faster temperature response, and quieter operation**
- Stainless steel interior
- Stainless steel cabinet, toe kick, and accents
- U-Adjust® Interior: 17 adjustable positions
- One removable, full-extension Slide & Secure™ Bin
- One removable, full-extension stainless steel shelf
- Two removable, full-extension wine racks
- Convection cooling system provides a quick cool down and consistent temperature
- Independently controlled dual zones
- Adjustable bright white or blue LED lighting
- Temperature range: (upper compartment) 38°F - 65°F; (lower compartment) 33°F - 45°F (The upper temperature must be ≥ the lower temperature, maximum 20° higher)
- Soft close door with articulating hinge
- Volume of 5.1 cu ft holds up to 14 wine bottles (750 ml) and 68 bottles (12 oz) or 72 cans (12 oz)
- Digital touch pad control with blue LED display
- Stainless steel handle (7/8" diameter)
- Integrated model requires 3/4" custom door panel and handle (not supplied by U-Line)
- Field reversible door is shipped right-hand hinged
- Built-in or freestanding
- Four adjustable leveling legs

### Model Details

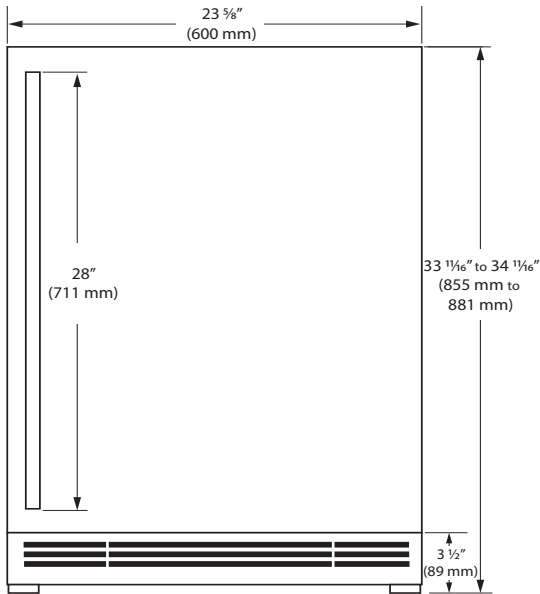
| Model         | Voltage/Hz | Door Swing        | Finish                      | Shipping Weight |
|---------------|------------|-------------------|-----------------------------|-----------------|
| UHBD524-SG01A | 115 / 60   | Field Reversible  | Stainless Frame             | 153 lb          |
| UHBD524-SG41A | 115 / 60   | Right-Hand Hinged | Stainless Frame (with lock) | 154 lb          |
| UHBD524-SG51A | 115 / 60   | Left-Hand Hinged  | Stainless Frame (with lock) | 154 lb          |
| UHBD524-IG01A | 115 / 60   | Field Reversible  | Integrated Frame            | 148 lb          |
| UHBD524-IS01A | 115 / 60   | Field Reversible  | Integrated Solid            | 142 lb          |

### Accessories

| Model          | Description                                  | Finish    | Shipping Weight |
|----------------|--|-----------|-----------------|
| ULAGRILLE24    | Adjustable Grille (Accepts Integrated Panel) | Black     | 3 lb            |
| ULASHP24FRAME* | Stainless Handleless Panel Frame             | Stainless | 10 lb           |
| ULASHP24SOLID* | Stainless Handleless Panel Solid             | Stainless | 15 lb           |

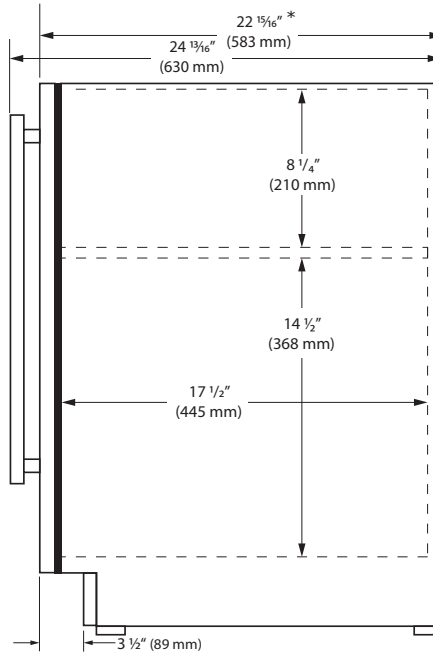
\*Installs on integrated models.

**Front**

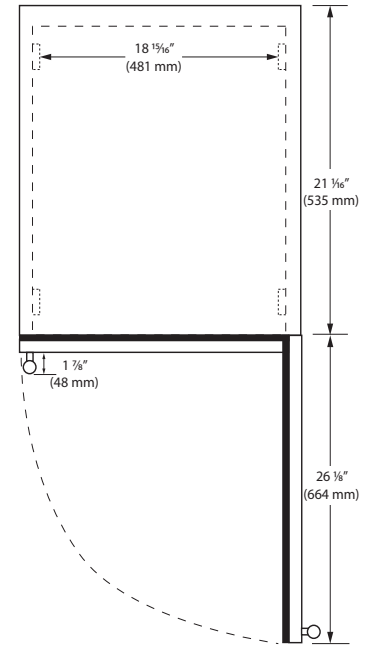


**Side**

\*Add 1/2" for Integrated models with 3/4" integrated panel installed.



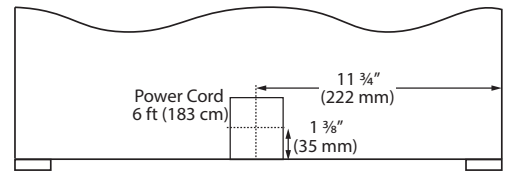
**Top**



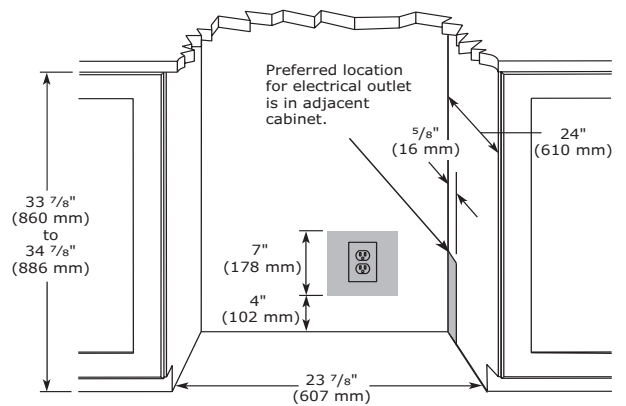
**Specifications**

|                                   |   |
|-----------------------------------|---|
| Model                             | HBD524                                    |
| Amps: Running                     | 1.2                                       |
| Capacity: Bottle (12 oz)          | 68  |
| Capacity: Can (12 oz)             | 72  |
| Capacity: Volume (cu ft)          | 5.1                                       |
| Capacity: Wine Bottle (750 ml)    | 14  |
| Dimensions: Product Depth         | 22 15/16" / 583 mm                        |
| Dimensions: Product Height (Min.) | 33 1/16" / 855 mm                         |
| Dimensions: Product Width         | 23 5/8" / 600 mm                          |
| Energy Consumption: Avg. Per Year | 220 kWh                                   |
| Panel Height                      | 30" / 762 mm                              |
| Panel Thickness                   | 3/4" / 20 mm                              |
| Panel Type                        | 2 3/4" / 70 mm Frame Panel or Solid Panel |
| Panel Width                       | 23 1/2" / 595 mm                          |
| Product Weight: Max               | 154 lb                                    |
| Refrigerant Type:                 | R600a (0.92 oz)                           |
| Sabbath (Star K Certified)        | Yes                                       |
| Temperature Range (upper)         | 38°F - 65°F                               |
| Temperature Range (lower)         | 33°F - 45°F                               |

**Back**



**Cabinet Cut-Out**



**Installation Notes**

- No additional clearance is needed for ventilation
- Do not obstruct front grille air flow

**Warranty**

- 2 Year (parts & labor) / 5 year sealed system (parts)
- + **Additional 1 Year (parts & labor) warranty at no cost with product registration**



See complete warranty for details

Please visit [u-line.com](http://u-line.com) to view this model's User Guide & Service Manual. All Specifications are subject to change without notice.

8900 North 55th Street • Milwaukee, Wisconsin 53223 USA • +1.414.354.0300 • [sales@u-line.com](mailto:sales@u-line.com) • [u-line.com](http://u-line.com)